

SL-1S Plain type

- For visible check of two-fluid flow
- Suitable for checking intermittent flow
- Horizontal and vertical installation

Application		Water, Oil, Non-corrosive liquids *
Maximum pressure		1.0MPa (10kgf/cm ² G)
Max. Temperature		180°C
Max. Thermal shock		100°C
Connection		JIS Rc (PT) screwed
Material	Body	Cast iron
	Glass	Hardened glass
Size		1/2"~1"

* For steam condensate : with mica plate.



SF-1S

SB-1S Ball type

- For visible check of one-fluid flow
- Balls keep glasses clean.
- Horizontal and vertical installation

Application		Water
Maximum pressure		1.0MPa (10kgf/cm ² G)
Max. Temperature		85°C
Connection		JIS Rc (PT) screwed
Material	Body	Cast iron
	Glass	Hardened glass
Size		1/2"~1"

SF-1S Flapper type

- For visible check of continuous flow change
- Suitable for checking continuous flow
- Horizontal and vertical installation

Application		Water, Oil, Non-corrosive liquids *
Maximum pressure		1.0MPa (10kgf/cm ² G)
Max. Temperature		180°C
Max. Thermal shock		100°C
Connection		JIS Rc (PT) screwed
Material	Body	Cast iron
	Glass	Hardened glass
Size		1/2"~1"

* For steam condensate : with mica plate.

400 Spinner type

- Spinner keeps glass clean.
- For visible check of one-fluid flow
- Horizontal and vertical installation

Application		Water
Maximum pressure		0.7MPa (7kgf/cm ² G)
Max. Temperature		100°C
Max. Thermal shock		40°C
Connection		JIS Rc (PT) screwed
Material	Body	Bronze
	Glass	Heat-resistant glass
Size		3/8"~1"



150L Plain type



150L-F

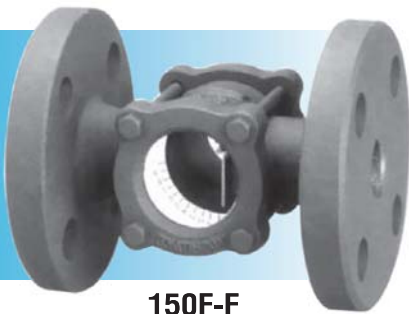
- For visible check of two-fluid flow
- Suitable for checking intermittent flow
- Horizontal and vertical installation

Model	150L-S	150L-F
Application	Water, Oil, Non-corrosive liquids *	
Maximum pressure	1.0MPa (10kgf/cm ² G)	
Max. Temperature	180°C	
Max. Thermal shock	100°C	
Connection	JIS Rc (PT) screwed	JIS 10KFF flanged
Material	Body	Cast iron
	Glass	Hardened glass
Size	1-1/4"~2"	1/2"~6"

* For steam condensate : with mica plate.

** Protector with wire-netting is available.

150F Flapper type



150F-F

- For visible check of continuous flow change
- Extremely low pressure loss
- Horizontal and vertical installation

Model	150F-S	150F-F
Application	Water, Oil, Non-corrosive liquids *	
Maximum pressure	1.0MPa (10kgf/cm ² G)	
Max. Temperature	180°C	
Max. Thermal shock	100°C	
Connection	JIS Rc (PT) screwed	JIS 10KFF flanged
Material	Body	Cast iron
	Glass	Hardened glass
	Flapper	Stainless steel
Size	1-1/4"~2"	1/2"~6"

* For steam condensate : with mica plate.

** Protector with wire-netting is available.

150L-13 Stainless steel Plain type

- Stainless steel made
- For visible check of two-fluid flow
- Horizontal and vertical installation

Model	150L-13S	150L-13F
Application	Water, Oil, Non-corrosive liquids *1	
Maximum pressure	1.0MPa (10kgf/cm ² G)	
Max. Temperature	180°C	
Max. Thermal shock	100°C	
Connection	JIS Rc (PT) screwed	JIS 10KFF flanged
Material	Body	Stainless steel(SCS13) *2
	Glass	Hardened glass
Size	1/2"~2"	1/2"~4"

*1 For steam condensate : with mica plate.

*2 SCS14 is available

*3 Protector with wire-netting is available.

150F-13 Stainless steel Flapper type

- Stainless steel made
- For visible check of continuous flow change
- Horizontal and vertical installation

Model	150F-13S	150F-13F
Application	Water, Oil, Non-corrosive liquids *	
Maximum pressure	1.0MPa (10kgf/cm ² G)	
Max. Temperature	180°C	
Max. Thermal shock	100°C	
Connection	JIS Rc (PT) screwed	JIS 10KFF flanged
Material	Body	Stainless steel(SCS13)
	Glass	Hardened glass
	Flapper	Stainless steel
Size	1/2"~2"	1/2"~4"

* For steam condensate : with mica plate.

** Protector with wire-netting is available.